

2957 Series Economy Keyfob With Buttons Enclosure

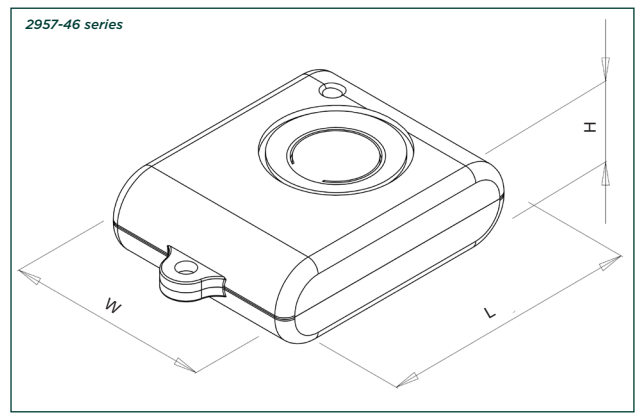
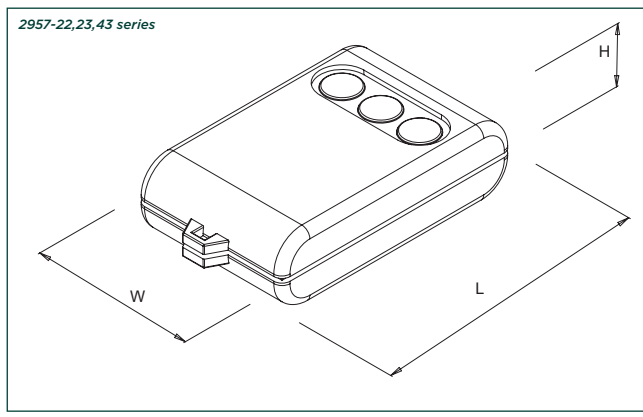
Product overview

Economic ABS keyfobs with 1-to-3 plastic button or one control button layout.

- Moulded in ABS
- One central button or 1-to-3 button layouts
- Snap-fit assembly of lid and base
- Small eyelet for keyring



SPECIFICATION		BLACK	LENGTH	WIDTH	HEIGHT	DESCRIPTION
Materials	Base, lid ABS and buttons	2957-22	57mm	36mm	16mm	1 button
Standard colours	Base and lid black similar to RAL 9004 Push buttons combinations of red, black and blue	2957-23	57mm	36mm	16mm	2 button
Standard unit includes	Base, lid and push buttons	2957-43	57mm	36mm	16mm	3 button
		2957-46	45mm	35.6mm	14mm	1 button - large



KEY FEATURES

Snap-fit assembly | Eyelet for keyring | 1-to-3 button layouts

